

Magirus-Deutz Sattelzugmaschine Pluto 200 S

Magirus-Deutz Truck-Tractor Pluto 200 S

New designation Magirus 200 D 16 S



Technical Specifications Magirus-Deutz Truck-Tractor

New designation

Pluto 200 S

Magirus 200 D 16 S

Engine	
Engine type	F8L 714
Cycle	4-stroke
Combustion system	turbulence chamber
Number of cylinders	8, in V
Bore	120 mms (4 ³ / ₄ ins)
Stroke	140 mms (5 ¹ / ₂ ins)
Piston displacement	12667 cm ³ (773 cu.ins)
Max. output (bare engine)	220 PS at 2300 rpm*
Automotive output (acc. to DIN 70020)	200 PS at 2300 rpm*
Max. torque	72 mkgs (521 ft. lbs) at 1300 rpm
Cooling system	aircooling
Oil cooler	fitted to engine
Transmission	
Clutch	single-dry-plate clutch
Gearbox	ZF make, type AK 6-70
Rear axle	Banjo-type supporting axle, pinion reduction gear with inner-toothed bell wheel on either side
Chassis	
Springs	semi-elliptic springs
Steering	ZF standard power-assisted steering
Lubrication	grease lubrication
Foot brake	internal-expanding four-wheel brake, hydraulic brake with air pressure assistance in front, pneumatic brake in rear, load-governed brake system
Hand brake	mechanically acting on rear wheels
Third brake	engine exhaust brake
Wheels	steel disc wheels
Tyres	11.00-20 steel belt tyres PR 16, single in front, twin in rear
Fuel tank	150 litres (33 galls)

Weights	
Chassis with driver's cab	5600 kgs (12346 lbs)**)
Load on 5th wheel	10400 kgs (22928 lbs)***)
Permissible gross vehicle weight	16000 kgs (35273 lbs)
Permissible gross combined weight	36000 kgs (79465 lbs)

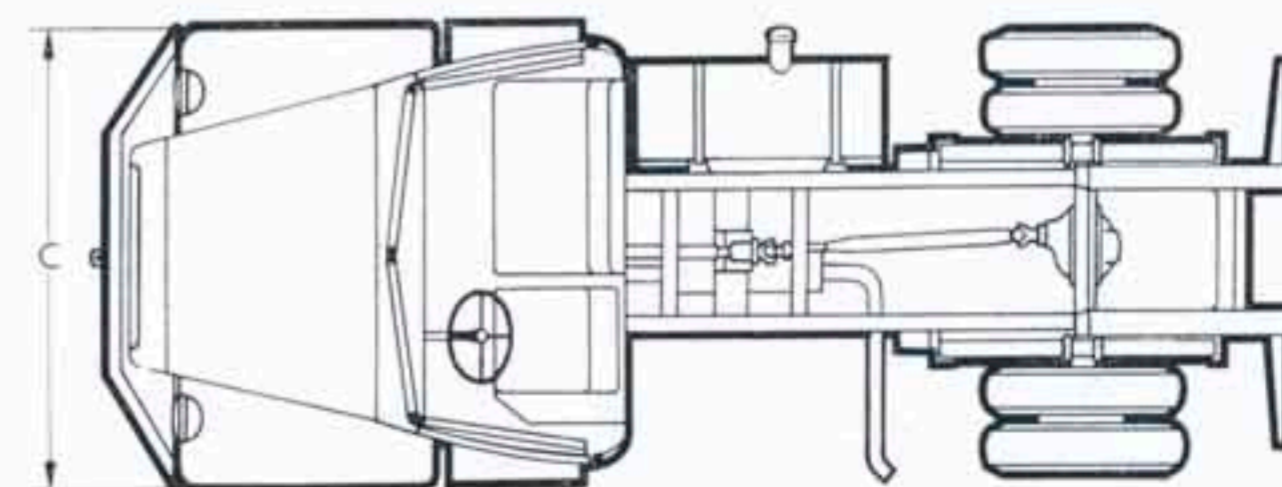
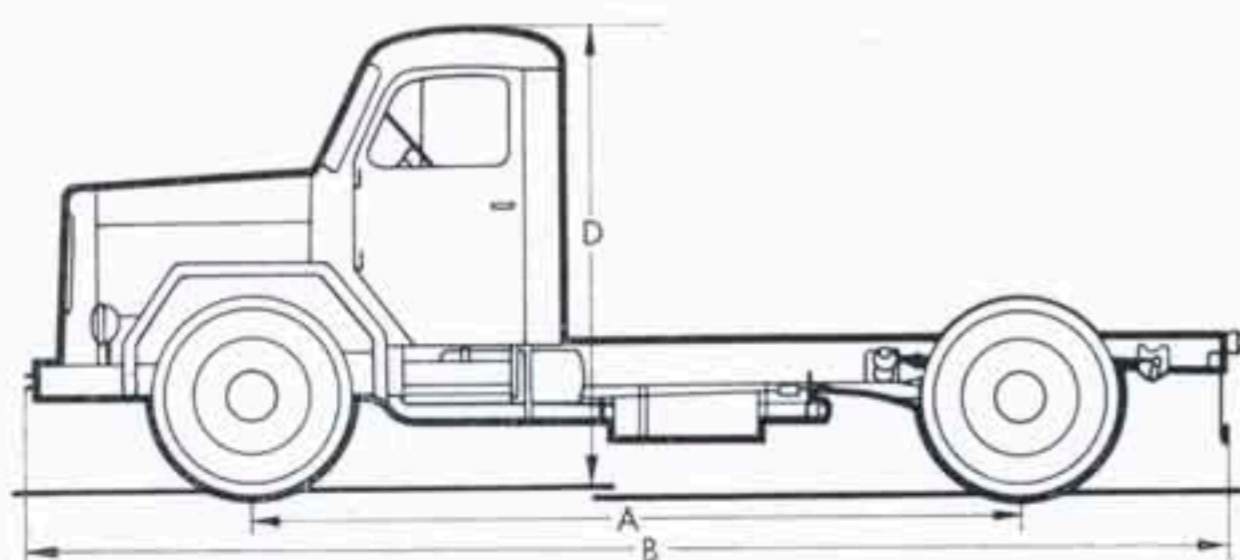
Dimensions	
Wheelbase (A)	4000 mms (157 ¹ / ₂ ins)
Clearance circle, approx.	16.2 m (53.2 feet)
Track, front	1467 mm (57 ³ / ₄ ins)
rear	1765 mms (69 ¹ / ₂ ins)
Overall length (B)	6170 mms (243 ins)
Overall width (C)	2500 mms (98 ⁷ / ₁₆ ins)
Overall height, unladen (D)	2410 mms (94 ⁷ / ₈ ins)
Top edge 5th wheel, unladen	1350 mms (53 ¹ / ₈ ins)
laden	1215 mms (47 ¹³ / ₁₆ ins)
King pin location ahead of rear axle centre	930 mms (36 ⁵ / ₈ ins)

Driving performance and consumption	
Max. speed, approx.	82.7 km/h (51.4 mph)
Gradability in 1st gear (at a permissible gross combined weight of 36 tons), approx.	15.9%
Fuel consumption (acc. to DIN 70030), approx.	38 litres/100 kms (7.4 miles/gallon) for tractor-trailer unit
Oil consumption, approx.	0.5 litre/100 kms (0.18 gallon/100 miles)

*) Output reduction: approx. 1% per each 100 metres (328 ft) above sea level approx. 1% per each 2° C (4° F) over 20° C (68° F)

***) incl. driver, tools, auxiliary frame and 5th wheel

*) incl. spare wheel



Technical specifications meet DIN 70020 and DIN 70030 (DIN = German Industrial Standards) in accordance with VDA Revers (VDA = Association of German Automobile Manufacturers)

Specifications and equipment subject to change without notice